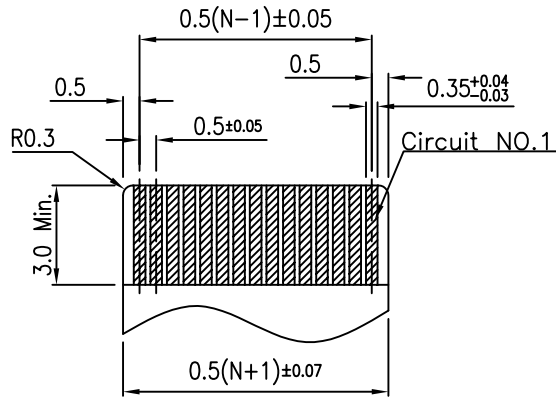
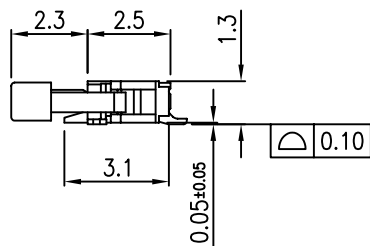
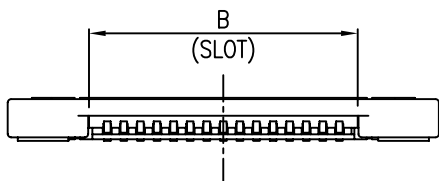
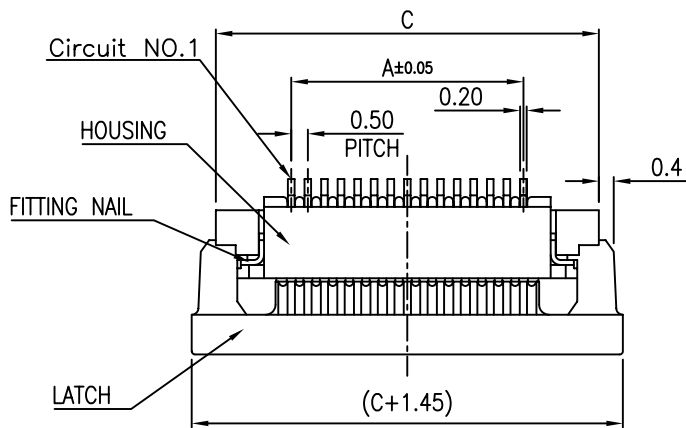


PCB PATTERN LAYOUT



RECOMMENDED APPLICABLE FPC LAYOUT  
(THICKNESS:0.3±0.03)



NOTES:

- MATERIAL:
  - HOUSING: THERMOPLASTIC, HIGH TEMP., UL94V-0;
  - CONTACT: COPPER ALLOY
  - FITTING NAIL: COPPER ALLOY
  - LATCH: THERMOPLASTIC, HIGH TEMP., UL94V-0;
- FINISH:
  - CONTACT:
    - 50u" MIN. NICKEL UNDERPLATING OVERALL.
    - N:120u" MIN. MATTE TIN PLATING OVER ALL
    - 1:GOLD FLASH PLATING OVER ALL
    - P:GOLD FLASH PLATING ON CONTACT
    - 120u" MIN. MATT TIN ON SOLDER TAIL
  - FITTING NAIL:
    - 50u" MIN. NICKEL UNDERPLATING OVERALL.
    - N:120u" MIN. MATTE TIN PLATING OVER ALL
    - 1:GOLD FLASH PLATING OVER ALL
- REFLOW SOLDER CAPABLE TO 260°C PER ACES SPEC.
- SPEC. PLS. REFER TO PS-50525-XXXX-XXX
- PACKAGE PLS. REFER TO 88296-XXXX-TRP
- PART NUMBER

50526-XXX X X-XXX  
 NO OF CKT  
 PACKING  
 0:Tape & REEL  
 1:TUBE

XXX	Housing Color	Actuator Color	Halogen Free
001	BLACK	WHITE	<b>HF</b>

PLATING  
 1: GOLD FLASH OVERALL  
 P:GOLD FLASH ON CONTACT  
 FOR MATT TIN  
 N: MATTE TIN (LEAD FREE)

CKT	Dim A	Dim B	Dim C
4	1.50	2.60	6.05
5	2.00	3.10	6.55
6	2.50	3.60	7.05
7	3.00	4.10	7.55
8	3.50	4.60	8.05
9	4.00	5.10	8.55
10	4.50	5.60	9.05
11	5.00	6.10	9.55
12	5.50	6.60	10.05
13	6.00	7.10	10.55
14	6.50	7.60	11.05
15	7.00	8.10	11.55
16	7.50	8.60	12.05
17	8.00	9.10	12.55
18	8.50	9.60	13.05
19	9.00	10.10	13.55
20	9.50	10.60	14.05
21	10.00	11.10	14.55
22	10.50	11.60	15.05
23	11.00	12.10	15.55
24	11.50	12.60	16.05
25	12.00	13.10	16.55
26	12.50	13.60	17.05
27	13.00	14.10	17.55
28	13.50	14.60	18.05
29	14.00	15.10	18.55
30	14.50	15.60	19.05

一般公差 <b>TOLERANCES</b> X ±0.5 XX ±0.15 X ±0.25 XXX ±0.1 ANGLE ±2°		<b>宏致電子股份有限公司</b> <b>Aces Electronic Co.,Ltd.</b>	
檢驗尺寸標示 <b>SYMBOLS</b> ⊕ ⊗ INDICATE CLASSIFICATION DIMENSION ⊕ MARK IS CRITICAL DIM. ⊗ MARK IS MAJOR DIM.	品名 (TITLE) <b>0.5mm ZIF FPC CONN.</b> <b>SMT R/A B/C TYPE</b> 圖號 (DWG.NO) <b>50526-XXXXX-XXX</b>	製圖 (DR) <b>08/09/25 huamin</b> 審核 (CHKD) <b>WGCH</b> 核准 (APPD) <b>Jason</b>	張數 (SHEET) <b>1 OF 1</b> 比例 (SCALE) <b>4:1</b> 單位 (UNITS) <b>mm</b>
表面處理 (FINISH)	比例 (SCALE) 單位 (UNITS)	張數 (SHEET) 1 OF 1	尺寸 (SIZE) A4 版 (REV) B